

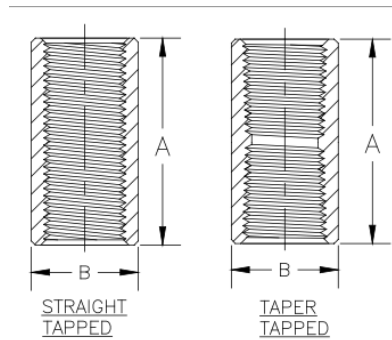
## STAINLESS STEEL PIPE SOCKETS

### 304,316, 304L / 316L

### O.D. Machined

### ANSI B1.20.1

#### Standard Merchant Couplings

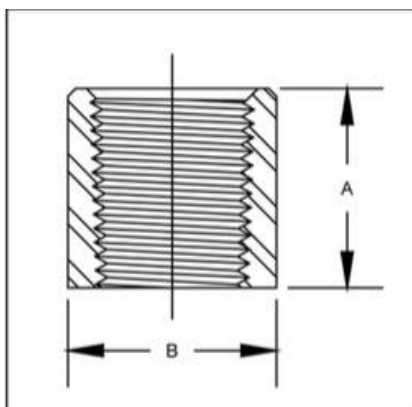


Pipe Size	1/8	1/4	3/8	1/2	3/4	1	1-1/4	1-1/2	2	2-1/2	3	3-1/2
<b>A</b>	0.812	1.188	1.188	1.562	1.625	2.000	2.062	2.062	2.125	3.125	3.250	3.375
<b>B</b>	0.562	0.719	0.875	1.062	1.312	1.576	1.900	2.200	2.750	3.250	4.000	4.625

Merchant Steel Couplings Conforms to: ASTM A865, ASME B1.20.1

Notes: 1/8" – 2" Straight Tapped(NPS), 2.5" – 6" Taper Tapped(NPT).  
 Merchant Couplings in 2" size are available Taper Tapped as special.

#### Standard Merchant Half Couplings



Pipe Size	1/8	1/4	3/8	1/2	3/4	1	1-1/4	1-1/2	2	2-1/2	3	3-1/2
<b>A</b>	0.344	0.531	0.531	0.719	0.750	0.937	0.969	0.969	1.000	1.500	1.562	1.625
<b>B</b>	0.562	0.719	0.875	1.062	1.312	1.576	1.900	2.200	2.750	3.250	4.000	4.625

Notes: 1/8" – 1" Taper Tapped(NPT), 1-1/4 – 2" Straight Tapped(NPS), 2.5" – 6" Taper Tapped(NPT).